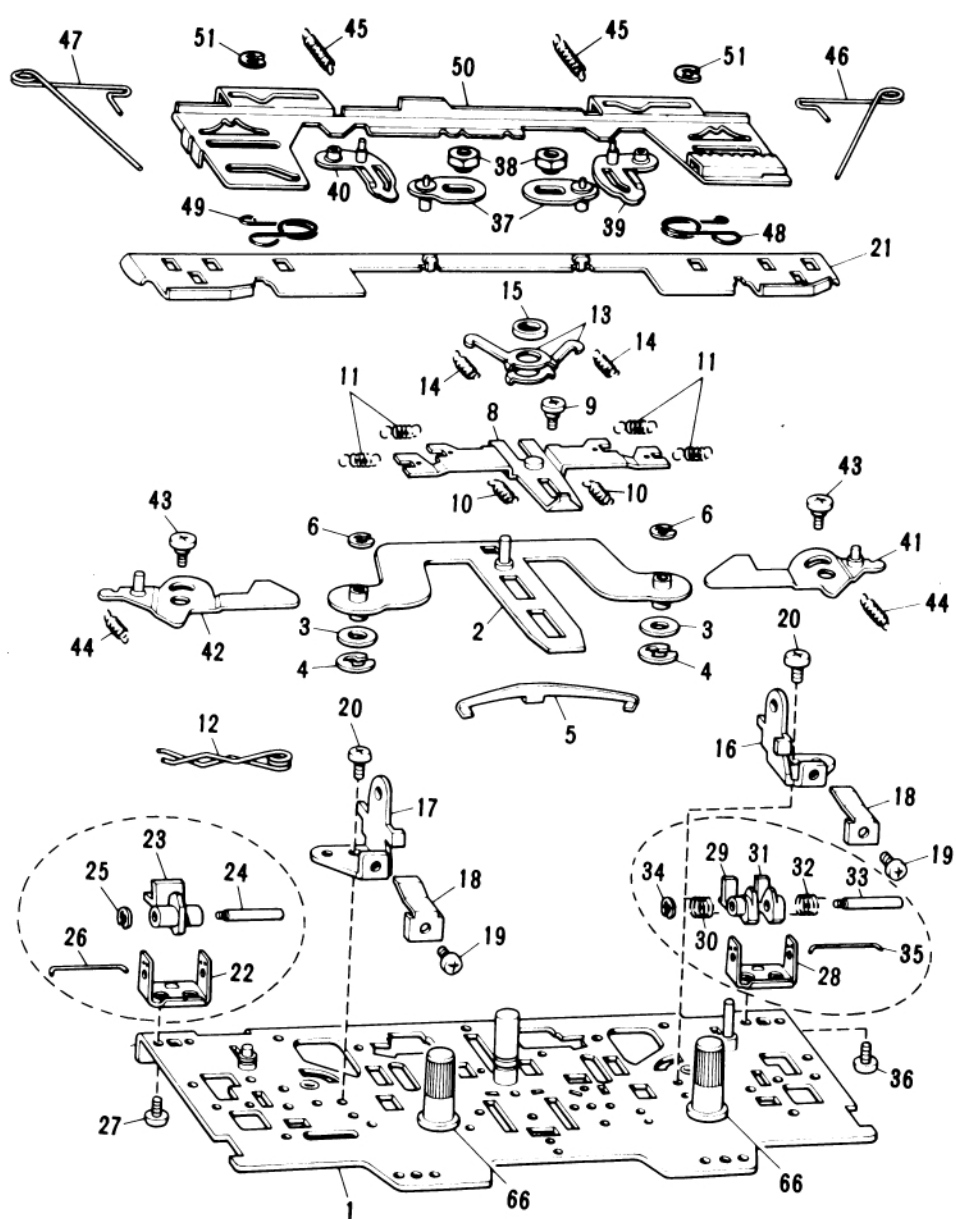
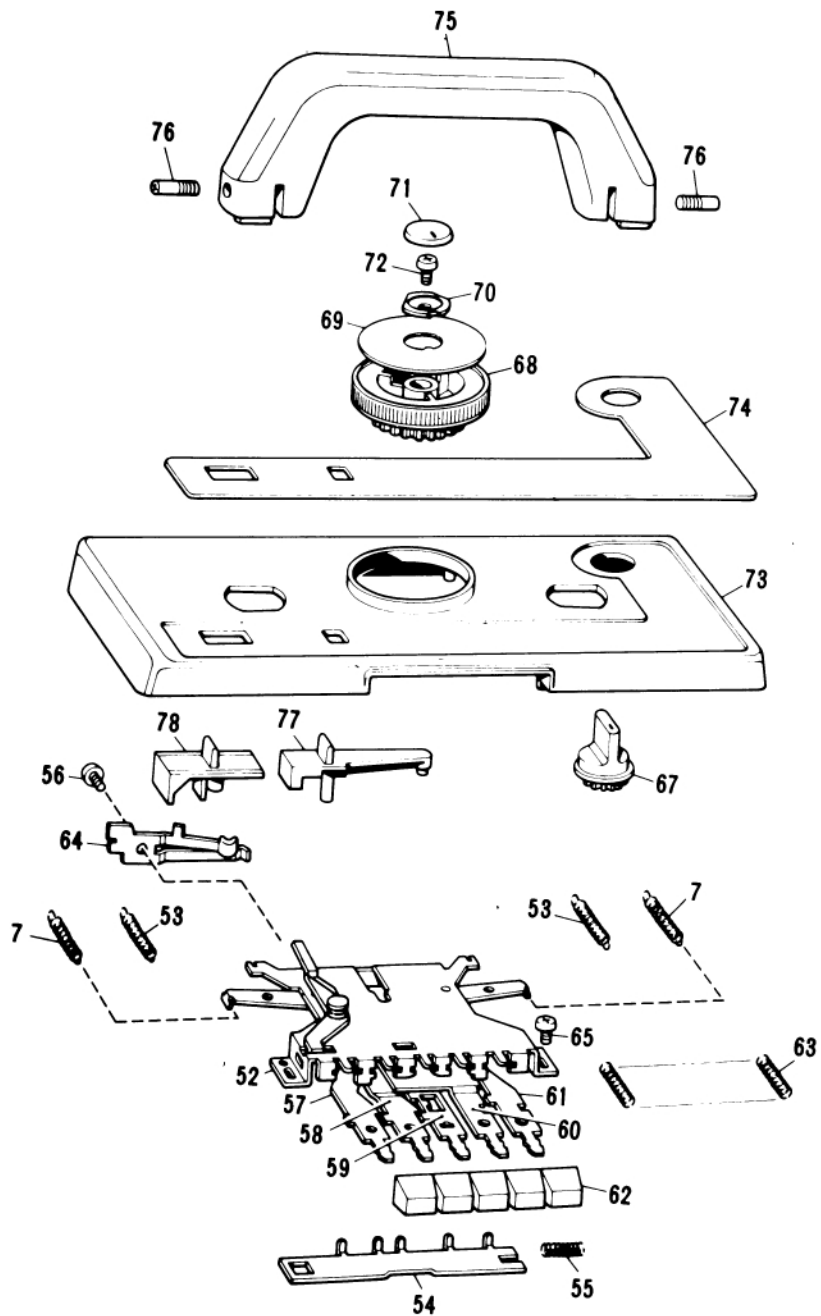


# *PARTS CATALOGUE FOR BROTHER KH-891 MACHINE*

*Parts marked with "O" are not interchangeable with other*

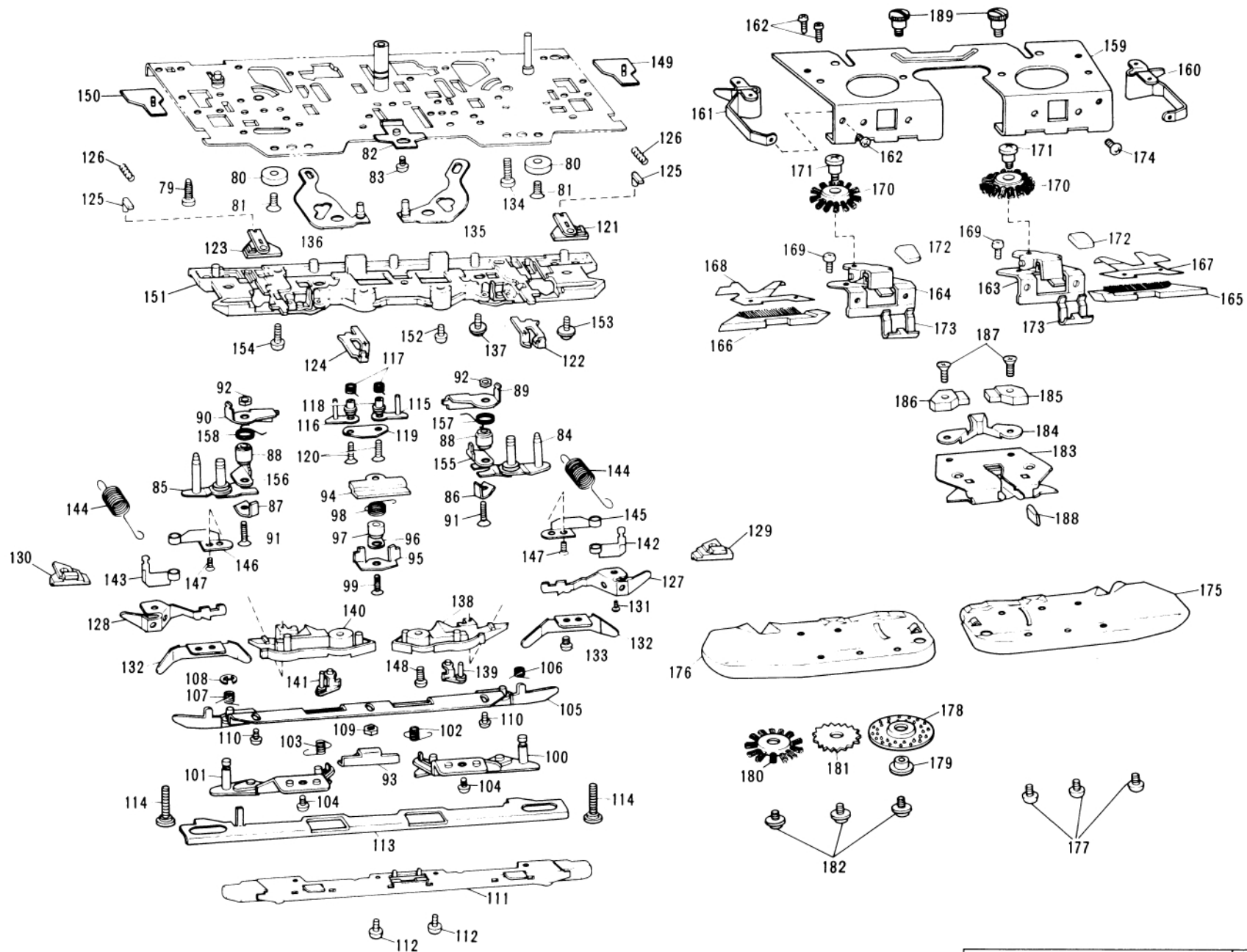


PARTS FOR CARRIAGE

Fig: A I

## PARTS FOR CARRIAGE UPPER PART

Ref. No.	Parts No.	Description	Revised	Q'ty	Ref. No.	Parts No.	Description	Revised	Q'ty
AI- 1-189	413091001	K carriage complete set KH-891		1	○ 71	409601003	Stitch dial cap		1
1	409501001	Carriage plate		1	72	060660606	+ – screw 3.18 × 6		1
2	409504001	Stitch cam guide plate		1	○ 73-74	413092001	K carriage cover assembly KH-891		1
3	405483001	Washer		2	○ 75	409605005	K carriage handle		1
4	048070346	Snap ring		2	76	409608001	Screw		2
5	409506001	Stitch cam guide plate spring		1	○ 77	409609004	Plain lever knob		1
6	048030346	Snap ring		2	○ 78	409610004	H.C.L. knob		1
7	407432001	Rasing cam change spring		2					
8	407692001	Change plate		1					
9	408491001	Change plate guide collar		1					
10	407318001	Change plate spring		2					
11	407319001	MC cam spring		4					
12	407333001	H.C.L. spring		1					
13	407341001	Tuck cam operating plate		2					
14	407342001	Tuck cam spring		2					
15	407343001	Presser ring		1					
16	409520001	Handle setting base, right		1					
17	409521001	Handle setting base, left		1					
18	409522001	Handle lock spring		2					
19	060670406	+ – screw 3.57 × 4		2					
20	060680506	+ – screw 4.37 × 5		2					
21	409554001	Rear plate		1					
22-26	409564001	Row counter tripper assembly		1					
○ 28-35	409559002	Knit-leder tripper assembly		1					
36	060660406	+ – screw 3.18 × 4		4					
37	409567001	S.M. cam lever		2					
38	409571001	Nut		2					
39	409572001	S.M. cam change crank, right		1					
40	409576001	S.M. cam change crank, left		1					
41	409578001	Cam change plate, right		1					
42	409581001	Cam change plate, left		1					
43	408506001	Stud screw 3.18		2					
44	410928001	Selection guide spring		2					
45	409585001	Needle selection change lever spring		2					
46	409498001	Valve cam E spring, right		1					
47	409499001	Valve cam E spring, left		1					
48	409543001	Connecting plate spring, right		1					
49	409544001	Connecting plate spring, left		1					
50	409565001	Upper slide plate		1					
51	048040346	Snap ring		2					
○ 52-64	409590002	Cam button unit		1					
65	060670406	+ – screw 3.57 × 4		2					
○ 66	409596002	Thumb nut		2					
○ 67	409597004	Change knob		1					
○ 68-69	413105001	Stitch dial assembly		1					
○ 68	409599002	Stitch dial		1					
○ 69	413106001	Stitch dial indicator plate		1					
○ 70	406283001	Stitch dial presser		1					

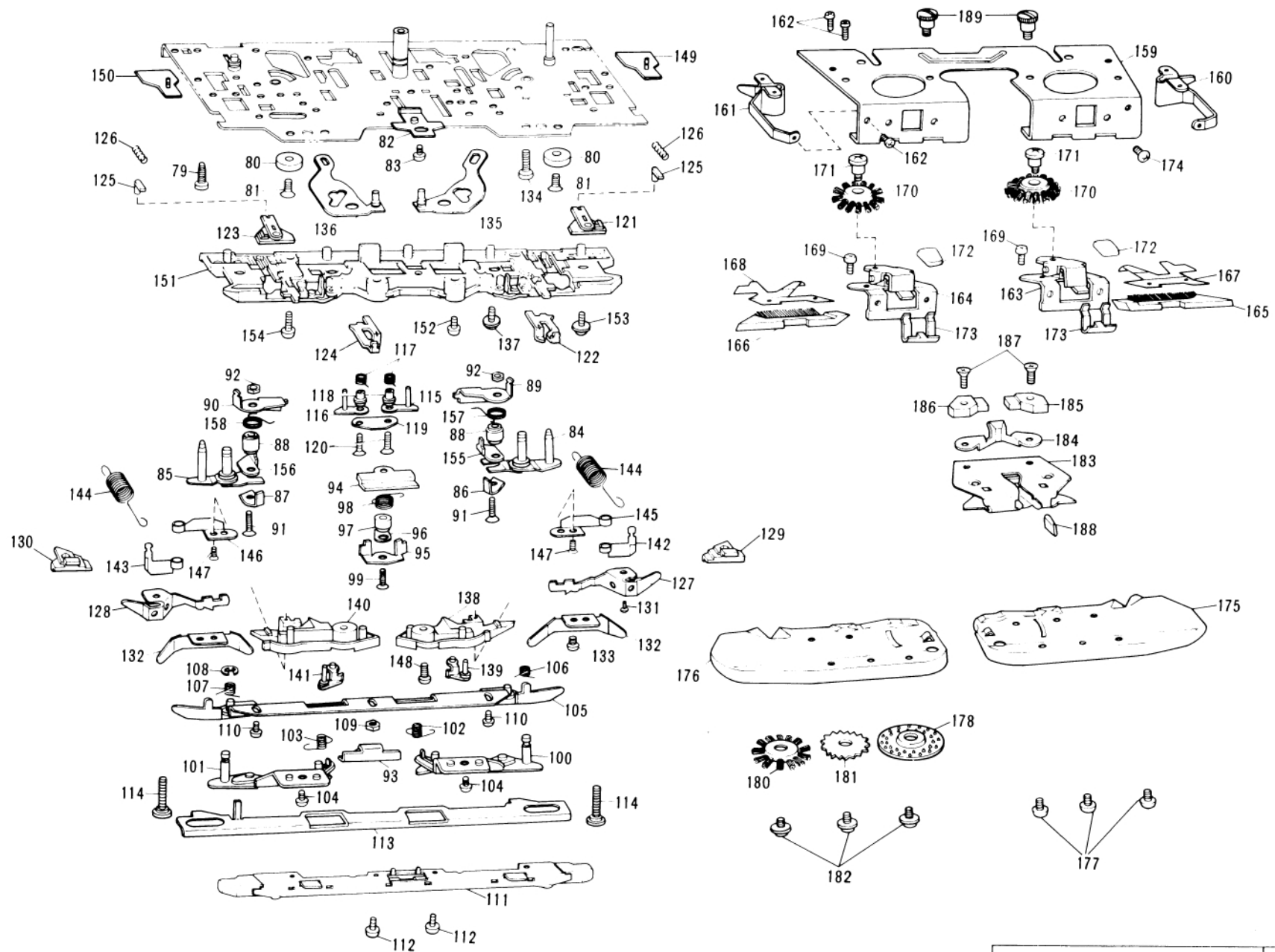


**PARTS FOR CARRIAGE**

**Fig: A II**

## PARTS FOR CARRIAGE LOWER PART

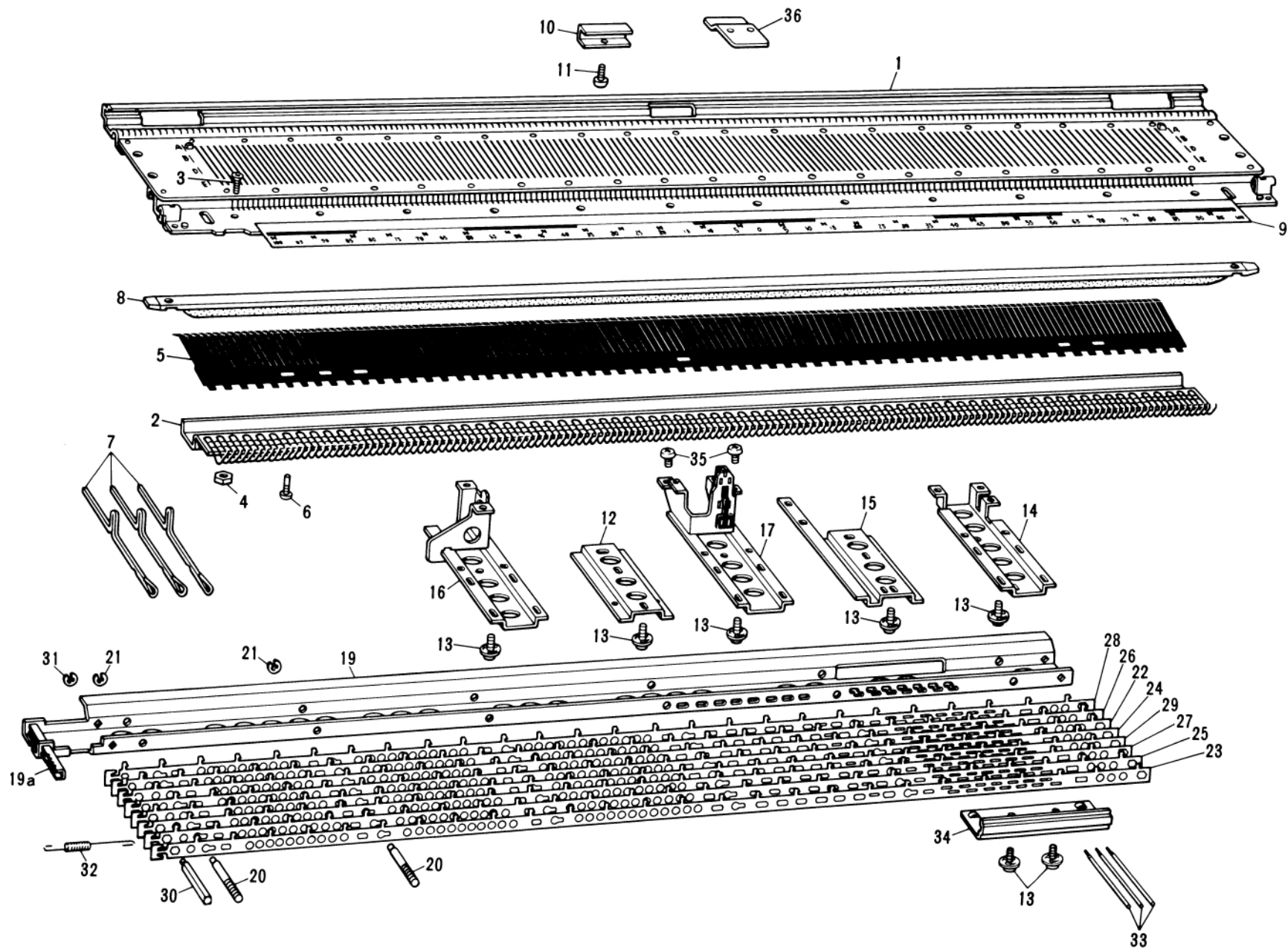
Ref. No.	Parts No.	Description	Revised	Q'ty	Ref. No.	Parts No.	Description	Revised	Q'ty
All- 79	037351615	Tapping screw		2	○ 126	412215001	End needle selection cam spring		2
80	407285000	Carriage magnet 16		2	127	409897001	Separation cam, right		1
81	408773006	Flat head screw 3.18 × 9		2	128	409898001	Separation cam, left		1
82	407289001	Stripe adjuster plate		1	129	410929000	Buffer right for selected needle		1
83	412050006	+ - screw 3.57 × 3.5		1	130	410930000	Buffer left for selected needle		1
84	410094001	Stitch cam assembly, right		1	131	060660406	+ - screw 3.18 × 4		2
85	410097001	Stitch cam assembly, left		1	132	409519001	Guide cam F		2
86	407296001	Sub stitch cam, right		1	133	062660406	+ - screw 3.18 × 4		2
87	407297001	Sub stitch cam, left		1	134	062681206	+ - screw 4.37 × 12		2
88	407298001	Sub stitch cam shaft		2	135	409523001	Needle selection change plate, right		1
89	407313001	MC cam, right		1	136	409526001	Needle selection change plate, left		1
90	407314001	MC cam, left		1	137	409528001	Stud screw		2
91	407312001	Screw		2	138	409529000	Selection cam, right		1
92	021660306	Nut		2	139	409530001	Needle selection change cam, right		1
93	408465001	Slide cam		1	140	409534000	Selection cam, left		1
94	408466001	Slide cam guide		1	141	409535001	Needle selection change cam, left		1
95	407356001	Guide cam C		1	142	410883001	Valve cam F, right		1
96	407635001	Valve cam C		1	143	410884001	Valve cam F, left		1
97	408467001	Shaft for guide cam C		1	144	409570001	Valve cam F spring		2
98	407636001	Valve cam C spring		1	145	409537001	Guide cam G, right		1
99	408459001	Flat head screw C		1	146	409538001	Guide cam G, left		1
100	408468001	Guide cam B, right		1	147	410030001	Flat head screw 2.38 × 14		2
101	408471001	Guide cam B, left		1	148	060661006	+ - screw 3.18 × 10		2
102	408473001	Valve cam B spring, right		1	149	409539001	Connecting plate, right		1
103	408474001	Valve cam B spring, left		1	150	409541001	Connection plate, left		1
104	408305002	Screw		2	151	412219001	Rear foot		1
105-108	407455001	Guide cam A assembly		1	152	060660406	+ - screw 3.18 × 4		2
105	407320001	Guide cam A		1	153	409494001	Screw 3.57		2
106	407325001	Holding cam spring, right		1	154	060661216	Screw 3.18 × 12		2
107	407326001	Holding cam spring, left		1	155	410488001	Valve cam D, right		1
108	048030346	Snap ring		2	156	410489001	Valve cam D, left		1
109	408524001	Nut		1	157	410490001	Valve cam D spring right		1
110	408305002	Screw		2	158	410491001	Valve cam D spring left		1
111	409892001	Front foot		1	159-189	411008002	Sinker plate complete set		1
112	408305002	Screw		2	159-182	411009002	Sinker plate assembly without feeder		1
113	407328000	Front slide plate		1	○ 159	412158001	Sinker plate arm		1
114	408504001	Stud screw 3.18		2	160	407427000	Weaving thread guide, right		1
115	407579001	Tuck cam, right		1	161	407428000	Weaving thread guide, left		1
116	407586001	Tuck cam, left		1	162	409162001	Tapping screw 3V-2.6		6
117	407338001	Tuck cam spring		1	163	410026001	Weaving lever assembly, right		1
118	407339001	Shaft for tuck cam		2	164	410027001	Weaving lever assembly, left		1
119	407340001	Tuck cam plate		1	165	410003001	Latch opening brush, right		1
120	407299001	Screw		2	166	410004001	Latch opening brush, left		1
○ 121	410922002	Selection cam for right end needle		1	167	408607000	Latch presser plate, right		1
122	410924001	Selection guide for right end needle		1	168	408608000	Latch presser plate, left		1
○ 123	410923002	Selection cam for left end needle		1	169	037280616	Screw		4
124	410925001	Selection guide for left end needle		1	170	407437001	Weaving pattern brush		2
125	410926001	End needle selection switch cam		2	171	408316001	Stud screw for weaving pattern brush		2



**PARTS FOR CARRIAGE**      **Fig: A II**

## PARTS FOR CARRIAGE LOWER PART

Ref. No.	Parts No.	Description	Revised	Q'ty	Ref. No.	Parts No.	Description	Revised	Q'ty
○ 172	409629002	Weaving lever knob		2					
173	407441001	Weaving lever spring		2					
174	408305001	Screw		4					
175	409614001	Sinker plate, right		1					
176	409618001	Sinker plate, left		1					
177	412048006	+ → screw 3.18 × 3		6					
178	410988001	Rubber wheel assembly		2					
180	407702001	Wheel brush		2					
181	405184002	Plastic gear		2					
182	409621001	+ – screw 3.18		6					
183-187	409980001	Double yarn feeder assembly		1					
183	409981001	Yarn feeder body		1					
184	409625000	Magnet holder plate		1					
185	407454000	Magnet, right		1					
186	407578000	Magnet, left		1					
187	413247001	Fastening screw, 2.38 × 10		2					
188	407450003	Yarn feeder knob		1					
189	409626001	Thumb screw		2					

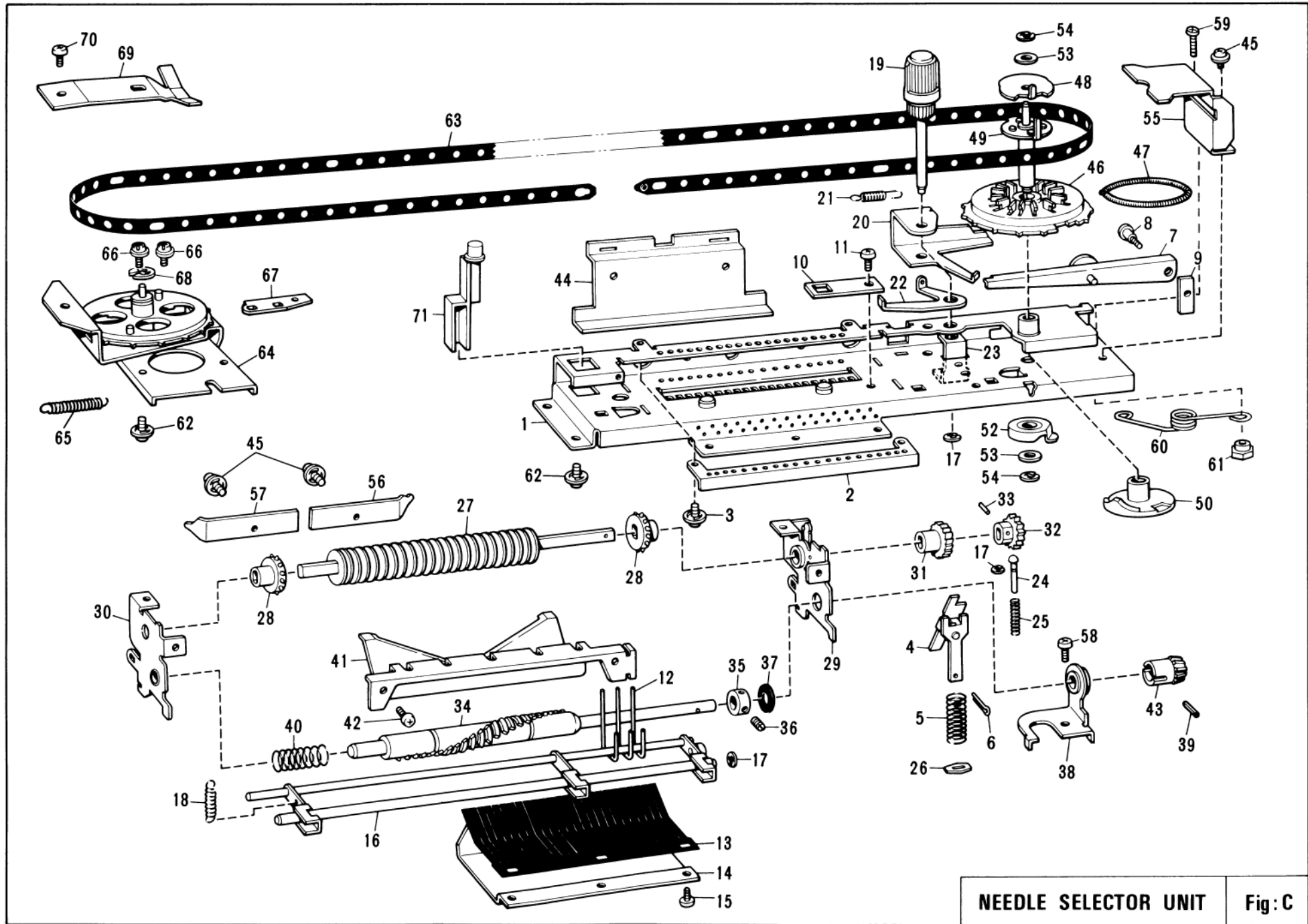


PARTS FOR NEEDLE BED Fig: B



## PARTS FOR NEEDLE BED

Ref. No.	Parts No.	Description	Revised	Q'ty	Ref. No.	Parts No.	Description	Revised	Q'ty
○ B- 1	412161001	Needle bed assembly		1					
2	409641001	Needle bed comb assembly		1					
3	412109004	Screw		12					
4	405077001	Nut		12					
5	407112001	Needle retaining spring		1					
6	407687001	Screw		3					
7	407113001	Plain needle		200					
○ 8	409643002	Needle presser bar assembly		1					
9	407114001	Needle position indicator		1					
10	409656000	Timing belt cover		1					
11	412048006	+ - screw 3.18 × 4		1					
12	407120000	Lower holder plate		1					
13	409197001	Screw with washer		26					
14	407121000	Stay, right		1					
15	408061000	Stay, center		1					
16	409648001	Stay, Left		1					
17	409651001	Yarn tension rod stand		1					
19-32	410668001	Needle selector plate holder assembly		1					
19	410670000	Needle selector plate holder		1					
20	408159001	Shaft A		6					
21	048025346	Snap ring		6					
22	408088001	Needle selector plate, 1		1					
23	408089001	Needle selector plate, 2		1					
24	408090001	Needle selector plate, 3		1					
25	408091001	Needle selector plate, 4		1					
26	408092001	Needle selector plate, 5		1					
27	408093001	Needle selector plate, 6		1					
28	408094001	Needle selector plate, 7		1					
29	408095001	Needle selector plate, 8		1					
30	408172001	Shaft B		1					
31	048025346	Snap ring		1					
32	408086001	Needle selector plate spring		8					
33	408098001	N.S.P. operation lever		24					
34	408099001	Operation lever presser		1					
35	060660406	+ - screw 3.18 × 4		2					
36	409657000	Reinforcing plate for knit leader		1					

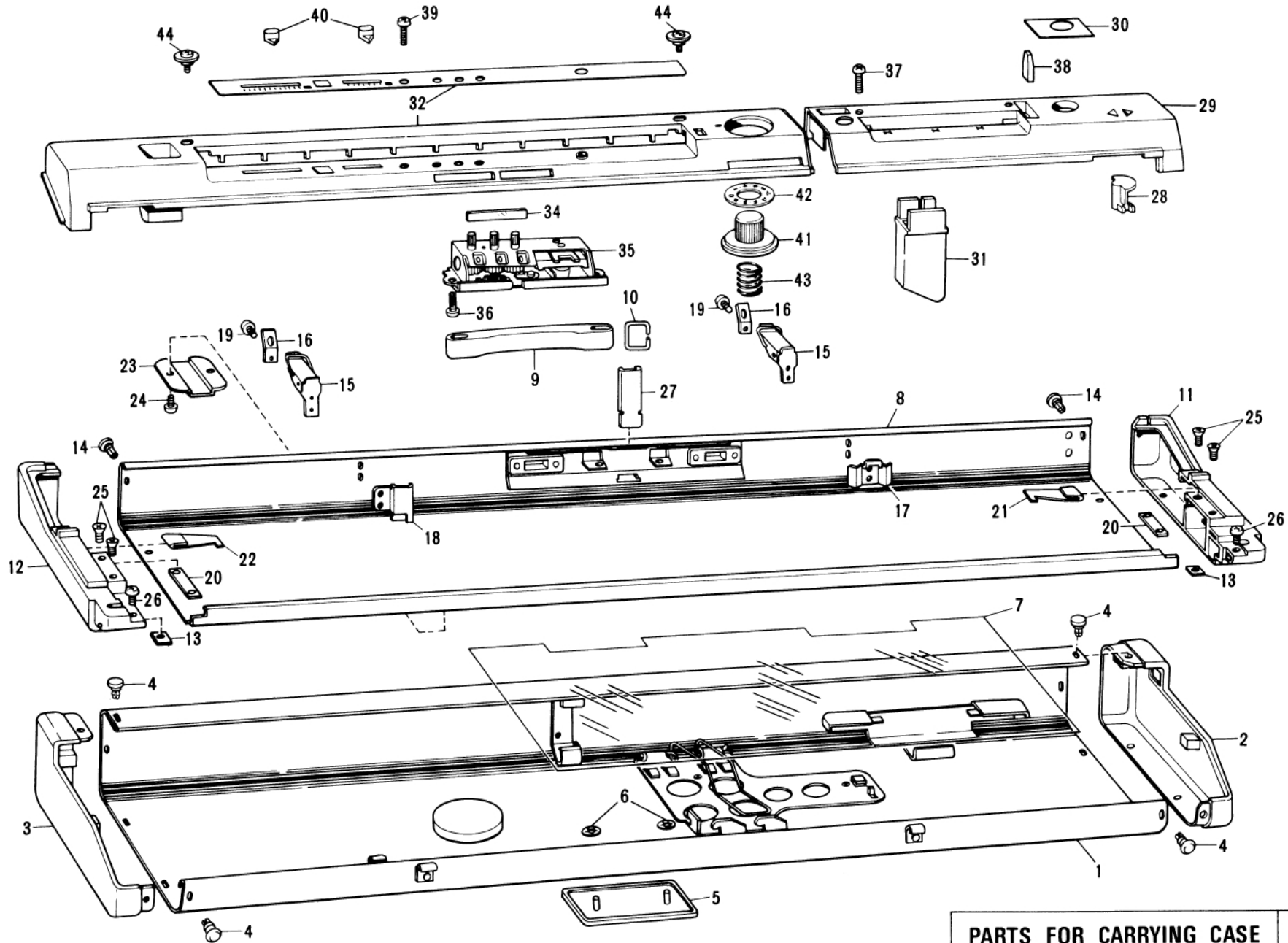


NEEDLE SELECTOR UNIT

Fig: C

## PARTS FOR NEEDLE SELECTOR UNIT

Ref. No.	Parts No.	Description	Revised	Q'ty	Ref. No.	Parts No.	Description	Revised	Q'ty
○ C- 1-61	413094001	Needle selector unit		1	47	410017001	Clutch spring		1
1	409662002	Needle selector unit body		1	48	407205001	Clutch cam B		1
2	409679000	Card reader adjusting plate		1	49	407206001	Clutch cam A		1
3	409197001	Screw with washer		2	50	408082000	Card feeding cam		1
4	409665001	Ratchet assembly		1	52	412871000	Card reader release cam		1
5	407145001	Ratchet operation plate spring		1	53	025350333	Washer		2
6	045100802	Split pin		1	54	048025346	Snap ring		2
7	408529001	Card feeding lever assembly		1	55	408084000	Timing belt guide plate, right		1
8	408534001	Stud screw		1	56	408309001	Spring plate R		1
9	407197000	Card feeding adjuster plate		1	57	408308001	Spring plate L		1
10	408068001	Card reader guide stopper		1	58	060660406	+ - screw 3.18 × 4		1
11	060660406	+ - screw 3.18 × 4		1	59	060660806	+ - screw 3.18 × 8		1
12	407152001	Card reader		24	60	412870001	Card reader release cam spring		1
13	408315001	Card reader spring		1	61	408760001	Nut		1
14	408213000	Card reader spring presser plate		1	62	409197001	Screw with washer		5
15	060660406	+ - screw 3.18 × 4		3	63	408181001	Timing belt		1
16	408069001	Card reader release plate assembly		1	64-68	410012002	Pulley assembly		1
17	048020346	Snap ring		3	69	407597001	Brake spring		1
18	407161001	Spring for card reader release plate		1	70	060660406	+ - screw 3.18 × 4		1
○ 19	410936004	Card feeding knob assembly		1	71	409711002	Push button		1
20	408535000	Intermittent feeding lever		1					
21	408536001	Intermittent feeding lever spring		1					
22	408537000	Change lever		1					
23	407193000	Card feeding knob stopper cam		1					
24	407179001	Card position guide pin		1					
25	407180001	Spring		1					
26	407464000	Ratchet spring stopper ring		1					
27-42	410938001	Card feeding unit		1					
27	407162001	Card roller		1					
28	407164001	Feeding gear		2					
29	409673001	Card roller holder right assembly		1					
30	408075001	Card roller holder, left		1					
31	407176000	Ratchet wheel		1					
32	407177000	Card position guide gear		1					
33	407473001	Pin		1					
34	408078002	Rotary cam		1					
35	407184001	Rotary cam adjuster collar		1					
36	013680516	Stopper screw		2					
37	409658001	Washer 8.1		1					
38	409659001	Bevel gear stopper plate		1					
39	407183001	Pin		1					
40	408165001	Rotary cam spring		1					
41	410939001	Card guide		1					
42	060660406	+ - screw 3.18 × 4		2					
43	409191000	Bevel gear		1					
44	407188000	Card reader holder		1					
45	409197001	Screw with washer		2					
○ 46	412166001	Clutch wheel assembly		1					

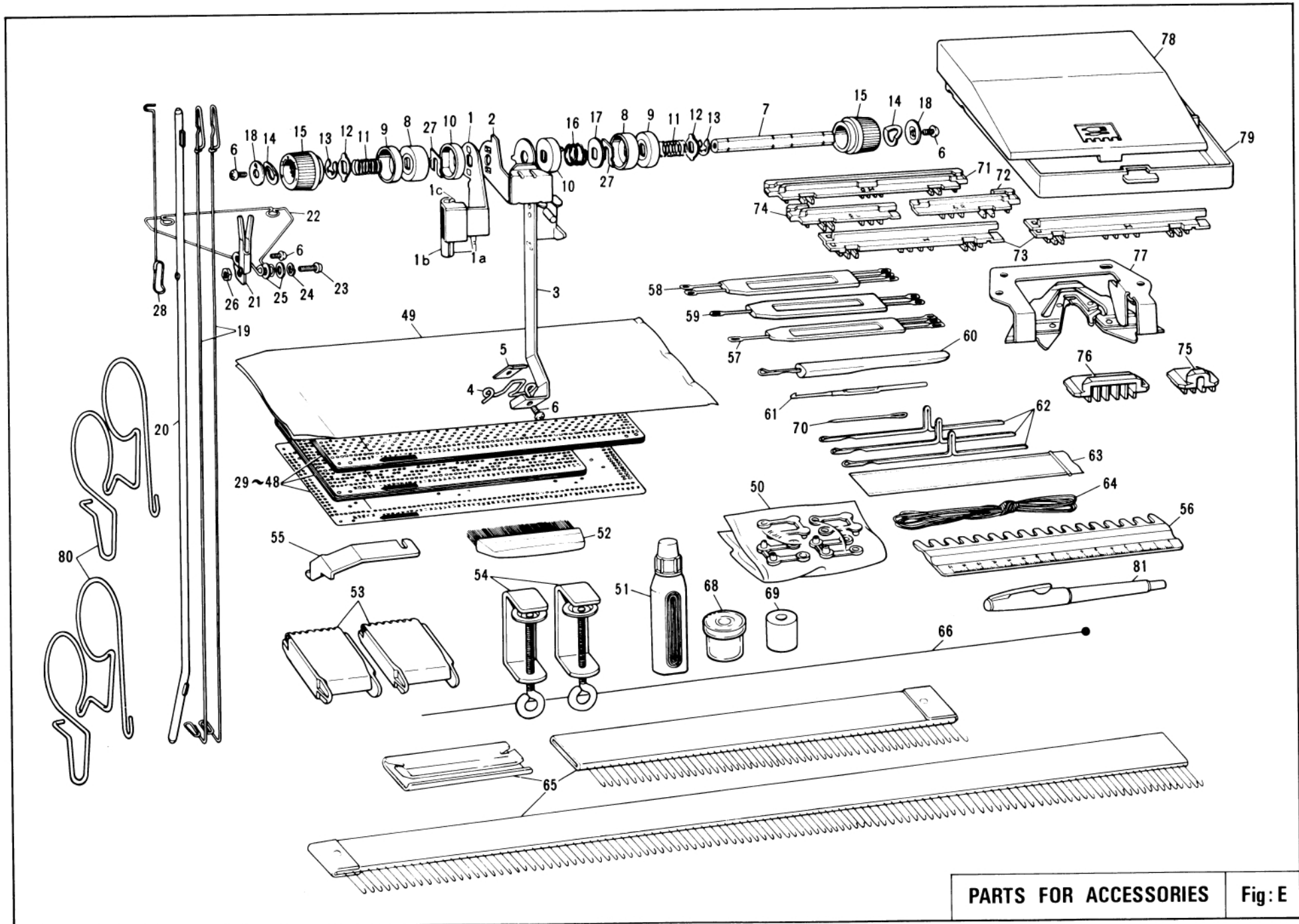


PARTS FOR CARRYING CASE

Fig: D

## PARTS FOR CARRYING CASE

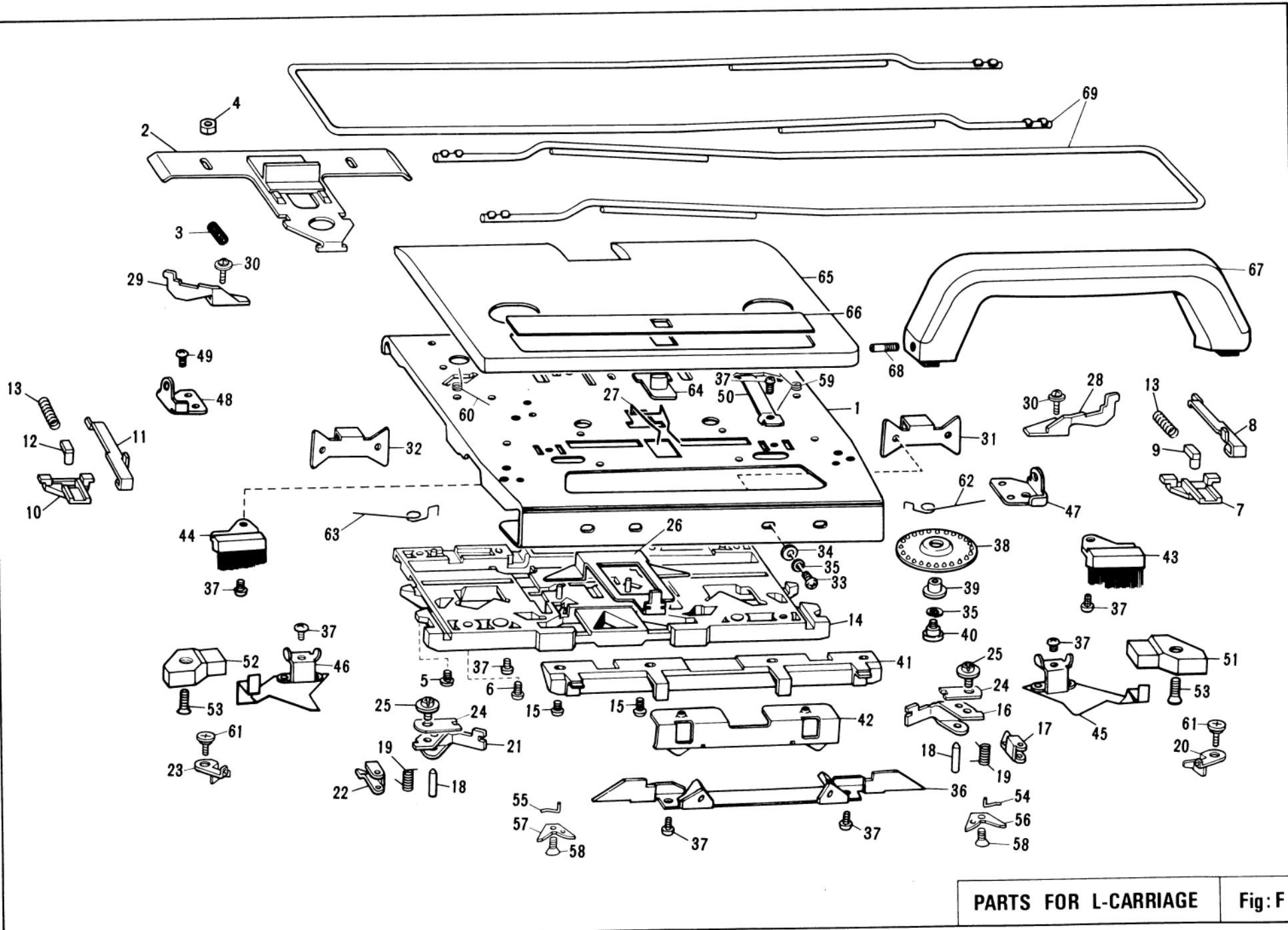
Ref. No.	Parts No.	Description	Revised	Q'ty	Ref. No.	Parts No.	Description	Revised	Q'ty
○ D- 1-22	413095001	Carrying case complete set KH-891 BM		1					
○ 1- 7	413096001	Carrying case upper assembly KH-891 BM		1					
○ 2	409692002	Upper side plate right		1					
○ 3	409693002	Upper side plate left		1					
○ 4	408194002	Plastic rivet		10					
5	413097001	Brother name plate KH-891		1					
6	408784001	Pushing nut		2					
7	412172001	Packing instruction sheet		1					
○ 8-22	412173001	Carrying case lower assembly		1					
○ 8-10	412174001	Carrying case lower body		1					
○ 11	409698002	Lower side plate right		1					
○ 12	409699002	Lower side plate left		1					
13	409700001	Square nut 3.18		2					
14	408194002	Plastic rivet		6					
○ 15	404022002	Carrying case lock assembly		2					
16	404027001	Carrying case lock spring		2					
17	410793000	Fastening plate R		1					
18	409701000	Fastening plate L		1					
19	405658001	Fastening screw		4					
20	407265000	Needle bed fastening plate		2					
21	409640001	Extension rail lock spring, right		1					
22	409639001	Extension rail lock spring, left		1					
23	407261001	Table clamp setting plate		2					
24	060660704	+ - screw 3.18 × 7		4					
25	407119001	Screw		4					
○ 26	060660704	+ - screw 3.18 × 7		2					
27	409705000	Sheet guide setting plate		1					
○ 28	409712002	Direction indicator plate		1					
○ 29-31	411038002	Panel assembly		1					
○ 31	410949000	Accessory stand		1					
○ 32-36	413098001	Panel assembly for knit-leader KH-891		1					
○ 34	409721002	Glass for row counter		1					
○ 35	409722002	Row counter		1					
36	037351016	Tapping screw		2					
37	060661604	+ - screw 3.18 × 16		2					
○ 38	409716002	Card lock lever knob		1					
39	060662004	+ - screw 3.18 × 20		1					
○ 40	409723004	Regulator knob		2					
○ 41-42	409726004	Sheet feeding dial assembly		1					
43	409729001	Sheet feeding dial spring		1					
44	409709001	+ - screw 3.18		2					



**PARTS FOR ACCESSORIES** Fig: E

## PARTS FOR ACCESSORIES

Ref. No.	Parts No.	Description	Revised	Q'ty	Ref. No.	Parts No.	Description	Revised	Q'ty
○ E- 1-28	412183001	Yarn tension unit assembly		1					
19	404755001	Take-up spring		2					
28	408614001	Sub take-up spring		1					
29-49	413115001	Punch card set KH-891		1					
50	409170001	Plastic snap (4pcs. in one set)		1					
51	405135004	Special knitting machine oil		1					
52	403552004	Hand brush		1					
53	404883007	Claw weight		2					
54	409198001	Table clamp		2					
55	409756001	Carriage lock		1					
56	407482004	1/1 needle pusher		1					
57	402575005	1 × 3 transfer tool		1					
58	402631005	2 × 3 transfer tool		1					
59	402576005	1 × 2 transfer tool		1					
60	407458004	Latch tool		1					
61	402577001	Crochet		1					
62	407113001	Plain needle		3					
63	407483000	Spare needle case		1					
64	402389001	Cast-on thread		1					
65	412878001	Cast-on comb set		1					
66	405683001	Binding wire		1					
68-69	487221001	Yarn wax with case		1					
70	402714001	Tapestry needle		1					
71	410985001	Single motif cam		1					
72	410975001	Motif knitting cam R		1					
73	410976001	Motif knitting cam center		2					
74	410977001	Motif knitting cam L		1					
75	412207001	L-point cam for 4 needles		6					
76	412208001	L-point cam for 8 needles		6					
77	410971001	Plating yarn feeder assembly		1					
78-79	409752002	Accessories box		1					
80	410974001	Sheet guide		2					
81	406910001	Special felt pen (black)		1					
					(Optional)				
					486392001		Special Felt pen set (3 pcs)		



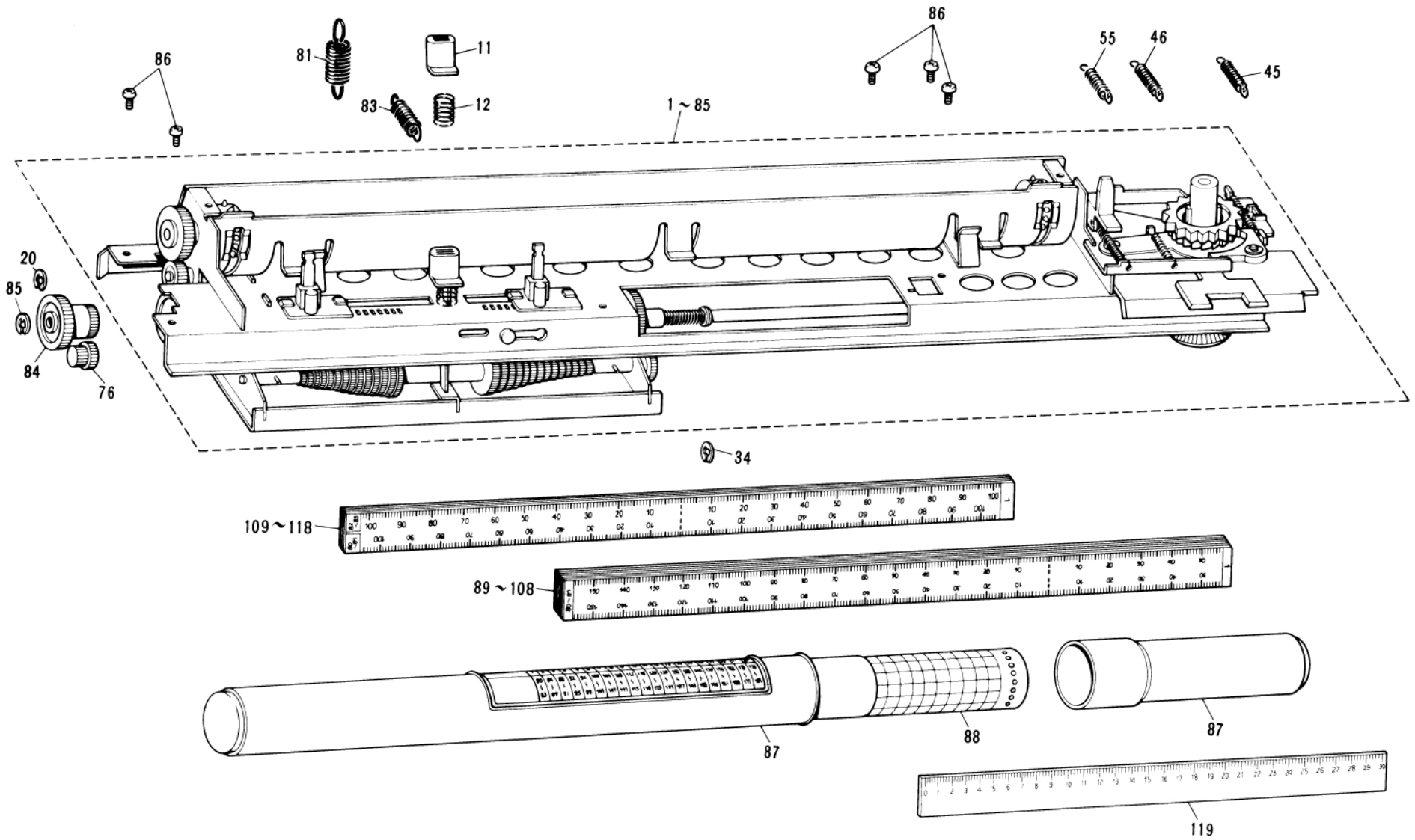
PARTS FOR L-CARRIAGE

Fig: F



## PARTS FOR L-CARRIAGE

Ref. No.	Parts No.	Description	Revised	Q'ty	Ref. No.	Parts No.	Description	Revised	Q'ty
○F-1-68	413101001	L carriage assembly KH-891		1	49	060670506	+ - screw 3.57 × 5		2
1	410563001	L carriage plate		1	50	407522001	Handle lock spring		2
○ 2	410954005	Release button plate assembly		1	51	407454000	Magnet, right		1
3	410565001	Release button plate spring		1	52	407578000	Magnet, left		1
4	408166001	Stud for release button plate		2	53	061661006	Screw		2
5	060660706	+ - screw 3.18 × 7		4	54	412141001	Valve cam B, right for L		1
6	060660806	+ - screw 3.18 × 8		4	55	412142001	Valve cam B, left for L		1
7	410957002	R end needle selection cam for L		1	56	412143001	Reinforcing plate B, right for L cam		1
8	410958001	R end needle selection plate for L		1	57	412144001	Reinforcing plate B, left for L cam		1
9	410959001	R end needle selection change cam for L		1	58	040210812	Tapping screw		2
10	410960002	L end needle selection cam for L		1	59	412147001	Valve cam C spring, right		1
11	410961001	L end needle selection plate for L		1	60	412148001	Valve cam C spring, left		1
12	410962001	L end needle selection change cam for L		1	61	409528001	Screw		2
13	410963001	End needle sleection cam spring for L		2	62	410966001	R end needle selection change spring		1
14	412138001	Main cam		1	63	410967001	L end needle selection change spring		1
15	060660806	+ - screw 3.18 × 8		2	○ 64	409744004	Lace selecting knob		1
16	410578001	Separation cam R for L carriage		1	○ 65-66	413102001	L carriage cover assembly-KH-891		1
17	408132001	Raising cam right for L carriage		1	67	409748005	L carriage handle		1
18	410579001	Shaft for separation cam		1	68	409751001	Screw		2
19	408134001	Raising cam spring		1	69	412205001	Extension rail		2
20	412145001	Valve cam C, right for L		1					
21	410581001	Separation cam L for L carriage		1					
22	408137001	Raising cam left for L carriage		1					
23	412146001	Valve cam C, left for L		1					
24	412898000	Presser plate		2					
25	406397001	Screw with washer 3.18 × 5		2					
26	408582001	Lace selecting cam		1					
27	408583001	Change lever spring		1					
28	410583001	Right end needle separation cam for L		1					
29	410584001	Left end needle separation cam for L		1					
30	410592001	+ - screw 3.18 × 12		2					
31	410494001	Needle transfer plate R		1					
32	410495001	Needle transfer plate L		1					
33	060660504	+ - screw 3.18 × 5		4					
34	403069001	Washer		4					
35	028030243	Spring washer		4					
36	408573001	Cam plate		1					
37	060660406	+ - screw 3.18 × 4		8					
38-39	411003001	Rubber wheel assembly		2					
40	405029001	Stud screw		2					
41	407490000	Front foot		1					
42	408579000	Front foot holder		1					
43	408580003	Small brush, right		1					
44	408581003	Small brush, left		1					
45	408561001	Spring plate, right		1					
46	408562001	Spring plate, left		1					
47	409740001	Handle setting base, right		1					
48	409739001	Handle setting base, left		1					



PARTS FOR KNIT LEADER

Fig: G

# PARTS FOR KNIT LEADER

Ref. No.	Parts No.	Description	Revised	Q'ty	Ref. No.	Parts No.	Description	Revised	Q'ty
G- 1-85	409760003	Knit-leader assembly		1	(Optional)			487081001	
○ 11	409724004	Clutch knob		1	Sheet set (small) (5 pcs in one set)				
12	409725001	Clutch lever spring		1					
20	048030346	Snap ring		1					
34	048040346	Snap ring		1					
45	409811001	Ratchet spring		1					
46	409812001	Ratchet arm spring		1					
55	409819001	Sheet button lever spring		1					
76	406120000	Z: 16 & Z:20 gear		1					
81	406129001	Upper gear arm spring		1					
83	409839001	Gear arm spring		1					
84	409835000	Z:24.40 gear		1					
85	048030346	Snap ring		1					
86	060660406	+ - screw 3.18 x 4		5					
○ 87-118	411050003	Scale & Sheet set		1					
○ 87	411051003	Sheet case (small)		1					
○ 89-118	409850002	Scale No. 1-20 assembly		1					
89	409851002	Scale No. 1		1					
90	409852002	Scale No. 2		1					
91	409853002	Scale No. 3		1					
92	409854002	Scale No. 4		1					
93	409855002	Scale No. 5		1					
94	409856002	Scale No. 6		1					
95	409857002	Scale No. 7		1					
96	409858002	Scale No. 8		1					
97	409859002	Scale No. 9		1					
98	409860002	Scale No. 10		1					
99	409861002	Scale No. 11		1					
100	409862002	Scale No. 12		1					
101	409863002	Scale No. 13		1					
102	409864002	Scale No. 14		1					
103	409865002	Scale No. 15		1					
104	409866002	Scale No. 16		1					
105	409867002	Scale No. 17		1					
106	409868002	Scale No. 18		1					
107	409869002	Scale No. 19		1					
108	409870002	Scale No. 20		1					
109	409871002	Scale No. 1-2		1					
110	409872002	Scale No. 3-4		1					
111	409873002	Scale No. 5-6		1					
112	409874002	Scale No. 7-8		1					
113	409875002	Scale No. 9-10		1					
114	409876002	Scale No. 11-12		1					
115	409877002	Scale No. 13-14		1					
116	409878002	Scale No. 15-16		1					
117	409879002	Scale No. 17-18		1					
118	409880002	Scale No. 19-20		1					
119	405879001	Ruler		1					